

# CEDAR VL52512

WALL

PROJECT



VL52512-BK/CL  
Black/Clear



VL52512-BG/CL  
Brushed Gold/Clear

## SPECIFICATION DETAILS

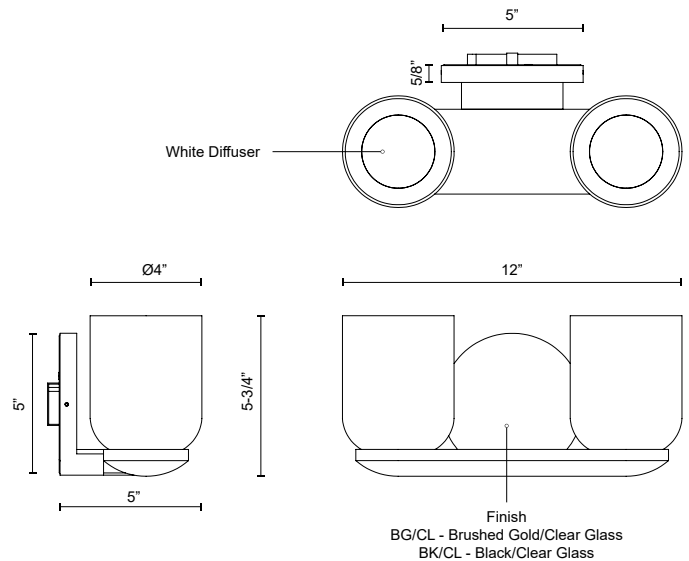
|                               |   |
|-------------------------------|---|
| <b>Fixture Dimensions</b>     | W12" x H5-3/4" x E5"                                    |
| <b>Light Source</b>           | DC LED WITH DRIVER                                      |
| <b>Wattage</b>                | 21W   |
| <b>Total Lumens</b>           | 1785lm  |
| <b>Delivered Lumens</b>       | 1275lm*   |
| <b>Voltage</b>                | 120V  |
| <b>Color Temperature</b>      | 3000K   |
| <b>CRI (Ra)</b>               | 90CRI   |
| <b>Optional Color Temps</b>   | 2700K - 5000K Available, Minimum Order Quantities Apply |
| <b>LED Rated Life</b>         | 50,000 hours  |
| <b>Dimming</b>                | 100% - 10%, TRIAC or ELV Dimmer (Not Included)          |
| <b>Diffuser Details</b>       | White Diffuser (interior)                               |
| <b>Glass Details</b>          | Clear Glass (exterior)                                  |
| <b>Location</b>               | Damp  |
| <b>Illumination Direction</b> | Up or Down  |
| <b>Mounting Style</b>         | Up or Down  |
| <b>CEC Title 24 JA8</b>       | Yes, JA8-2022   |
| <b>Canopy Dimensions</b>      | W5" x H5" x E5/8"                                       |
| <b>Paint Finish</b>           | BG02; BK02;   |

\* For custom options, consult factory for details.

\* For warranty information, please visit [www.kuzcolighting.com/warranty](http://www.kuzcolighting.com/warranty)

## DESCRIPTION

The charming Cedar Collection is filled with whimsical frosted glass diffusers resting inside clear glass shades. This versatile family includes a variety of different mounting options that can be mounted up, down, horizontally, or vertically. The metal base details offer a nice rigidity that complements the soft curves found on the rest of the piece and are available in two finishes.



# KUZCO

CANADA: 19054 28TH AVENUE - SURREY, BC V3Z 6M3

USA: 3035 E. LONE MOUNTAIN ROAD - LAS VEGAS, NV 89081

[WWW.KUZCOLIGHTING.COM](http://WWW.KUZCOLIGHTING.COM)

© 2023 KUZCO LIGHTING. ALL RIGHTS RESERVED.

## COMMENT

